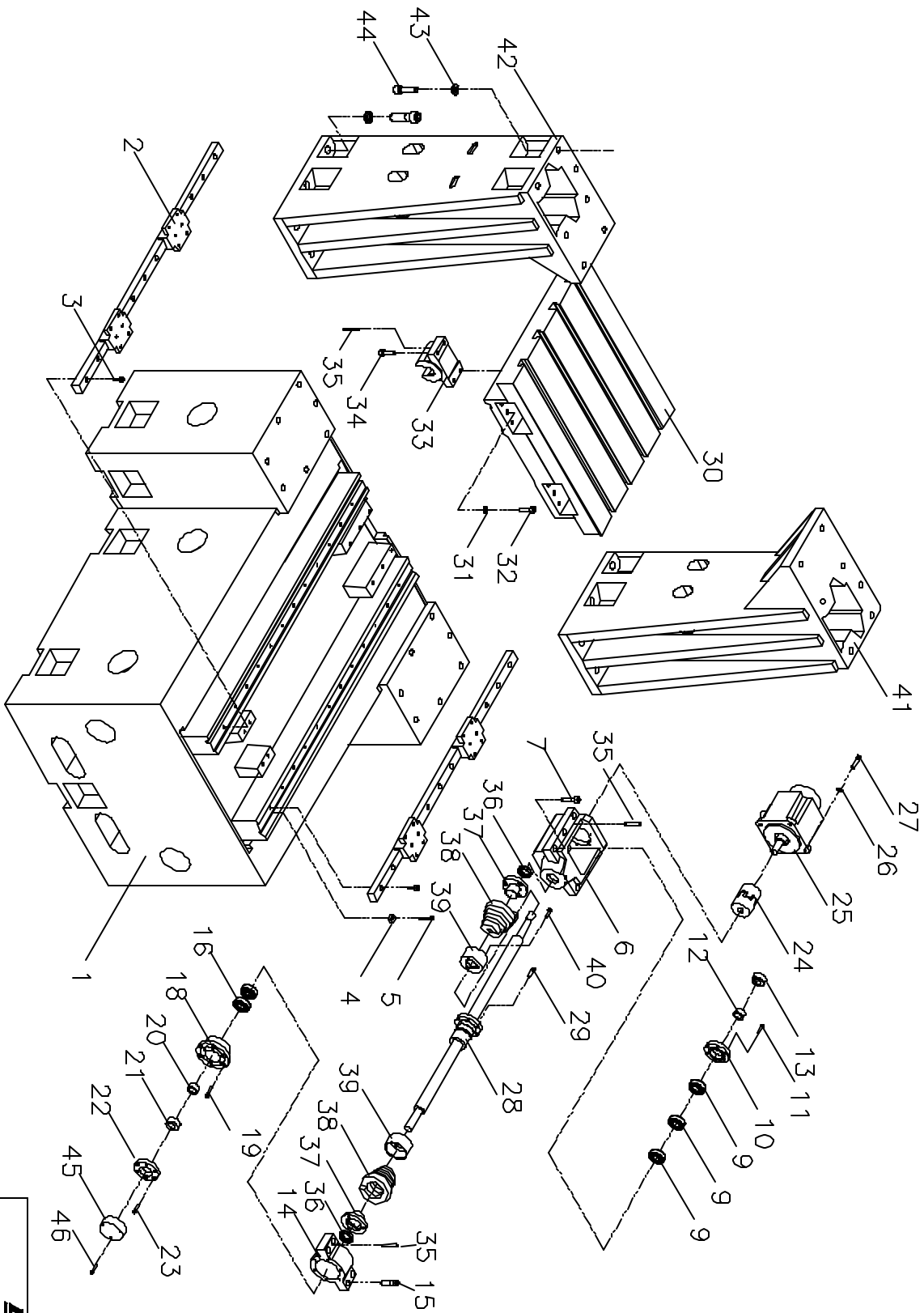


Bridgeport	
TITLE	
HSC 500 X AXIS Bridge Assembly	
DRG. No. HSC-500A0021	ISSUE No. 01



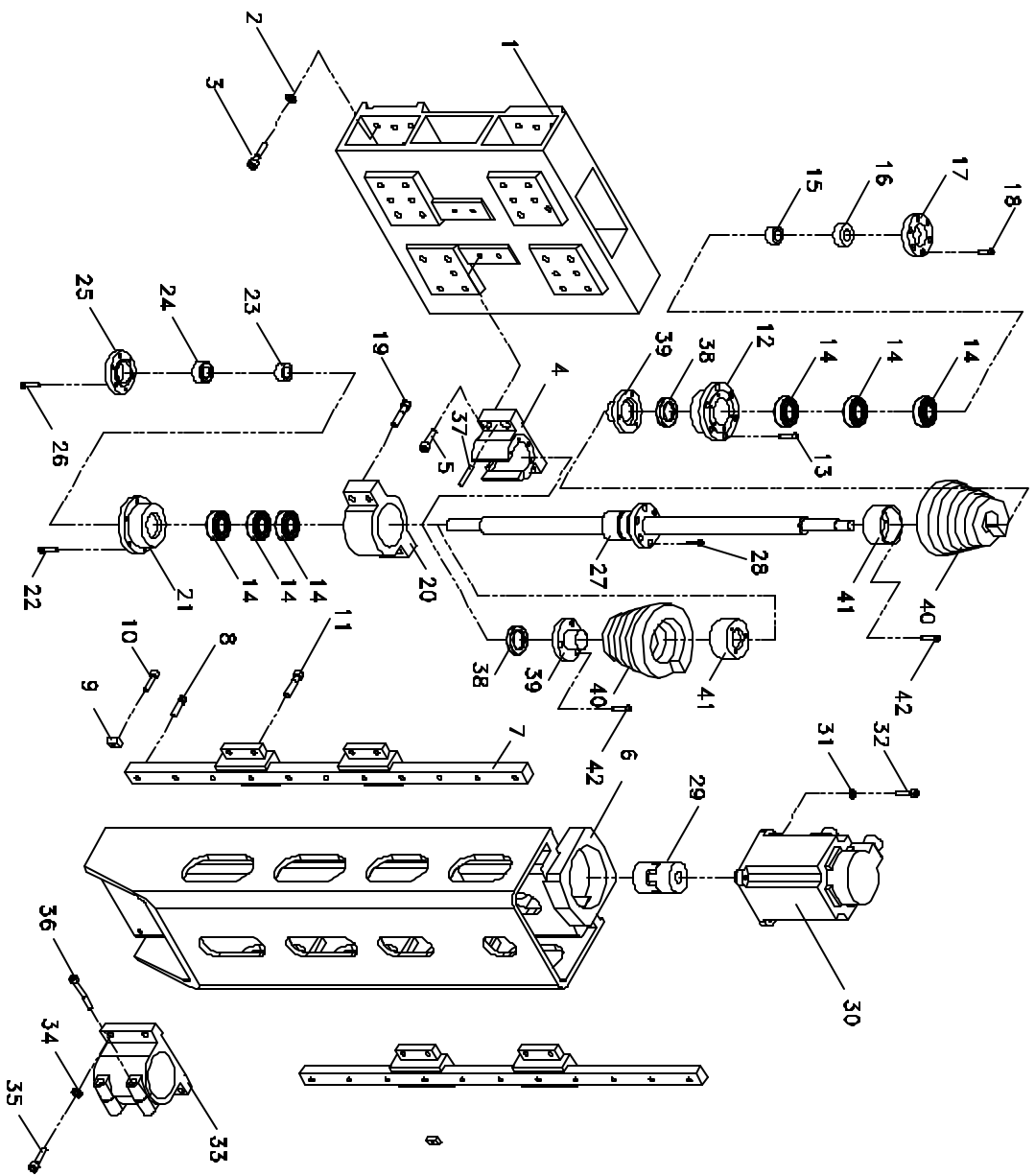
Bridgeport

HSC 500 Base & Y Axis

TITLE

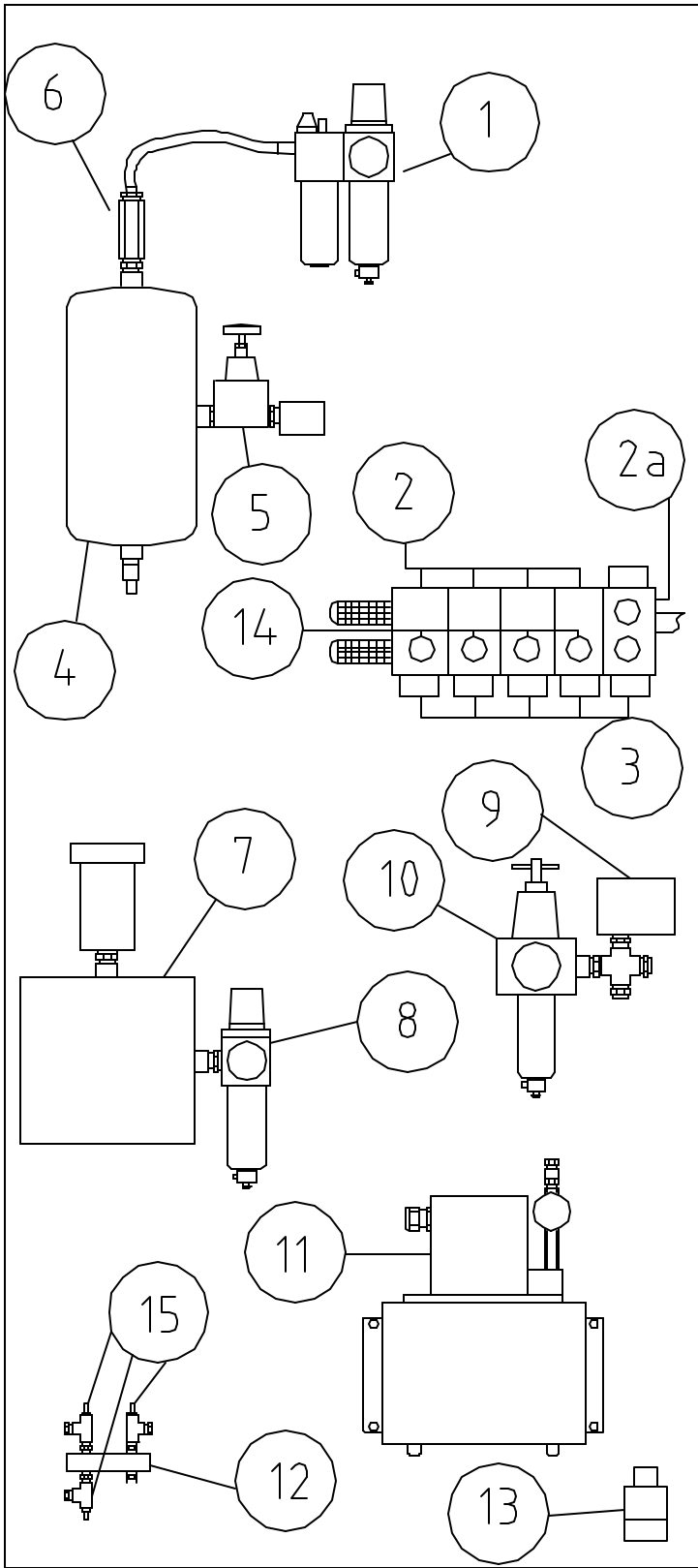
DRG. No. HSC-500A0011 | ISSUE No. 01

Machine Serial #		BASE & Y AXIS ASSEMBLY		
		HSC 500 Parts List		
		Dwg # HSC-500A0011		
ITEM	Part #	Description	Qty	Comments
1	EM500R0151	Base Casting	1	
2	EM500R0061	Linear Ways Schneeberger BMA2-960-giv3	2	
3	S001080025	Cap Screw M8 x 25	24	
4	Q00T00005	Linear Guide retainer	24	
5	S001050025	Cap Screw M5 x 25	24	
6	EM500R0091	Y axis Bearing Housing Casting (Rear)	1	
7	S001100040	Cap Screw M10 x 40	6	
8	N / A	N / A	N/A	
9	C025TAC62B	Bearing 20TAC62B x 3	3	
10	EM500R0131	Bearing Retainer Y axis (Rear)	1	
11	S001050025	Cap Screw M5 x 25	6	
12	EM500R0041	Bearing Spacer	1	
13	N000250015	Nut M20 x 1P	1	
14	EM500R0111	Y axis Bearing Housing Casting (Front)	1	
15	S001100040	Cap Screw M10 x 40	4	
16	C025TAC62B	Bearing 20TAC62B	2	
17	N / A	N / A	N/A	
18	EM500R0123	Bearing Housing Y axis (Front)	1	
19	S001060030	Cap Screw M6 x 30	5	
20	EM500R0041	Bearing Spacer	1	
21	N000250015	Nut M20 x 1P	1	
22	EM500R0131	Bearing Retainer Y axis (Front)	1	
23	S001050025	Cap Screw M5 x 25	6	
24	R055RD1819	Coupling MTC 55-RD (18 x 19)	1	
25	QSY116JECO	Y axis Feed Motor QSY 116J EcoDyn	1	
26	S023000008	Spring Washer M8	4	
27	S001080035	Cap Screw M8 x 35	4	
28	EM500R0022	axis Ballscrew R 32x5B1xFDVx550x850x0.0	1	
29	S001060025	Cap Screw M6 x 25	5	
30	EM500R0171	Worktable	1	
31	S001100035	Cap Screw M10 x 35	4	
32	S023000010	Spring Washer M10	24	
33	EM500R0101	X Axis Ballscrew Nut Housing		
34	S001100040	Cap Screw M10 x 40	24	
35	S003100008	Spring Washer M16	24	
36	O0TTC254707	Cap Screw M16 x 55	24	
37	EM500R0331	Ballscrew Cover Retainer	2	
38	P4045050	40 x 450 x 50 Ballscrew Cover	2	
39	EM500R0332	Ballscrew Cover Pocket	2	
40	S001050015	M 5 x 15 Cap Screw	18	
41	EM500R0161	Bridge Column Right Side	1	
42	EM500R0181	Bridge Column Left Side	1	
43	S023000020	20mm Spring Washer	28	
44	S001200055	M20 x 55 Cap Screw	28	



Bridgeport	
TITLE	
HSC 500 Z Axis Assembly	
DRG. No. HSC-500A0031	ISSUE No. 01

Machine Serial #		Z AXIS ASSEMBLY		
		HSC 500 Parts List		
		Dwg # HSC-500A0031		
ITEM	Part #	Description	'Qty	Comments
1	EM500R0203	Saddle Casting	1	
2	S023000008	M8 Spring Washer	12	
3	S001080035	M8 x 35 Cap Screws	12	
4	EM500R0102	Z Axis Ballscrew Nut Housing	1	
5	S001100045	M10 x 45 Cap Screws	4	
6	EM500R0224	Z Axis Ram Casting FC 30	1	
7	EM500R0072	Guideway Schneeberger MR35C2-840-glv3	2	
8	S001080025	M8 x 25 Cap Screws	22	
9	Q00T200006	Linear Guide retainer	22	
10	S001060025	M6 x 25 Cap Screws	22	
11	S001080035	M8 x 35 Cap Screws	32	
12	EM500R0123	Bearing Housing Z axis (Top)	1	
13	S001060030	M6 x 30 Cap Scews	5	
14	C025TAC62B	Bearing 20TAC62B	5	
15	EM500R0041	Bearing Spacer	1	
16	N000250015	Nut M25 x 1.5P	1	
17	EM500R0231	Bearing Retainer Z axis (Top)	1	
18	S001050025	M5 x 25 Cap Screws	5	
19	S001100040	M10 x 40 Cap Screws	4	
20	EM500R0122	Z Axis Ballscrew Nut Housing	1	
21	EM500R0122	Bearing Housing Z axis (Bottom)	1	
22	S001060030	M6 x 30 Cap Screws	5	
23	EM500R0041	Bearing Spacer	1	
24	N000250015	Nut M25 x 1.5P	1	
25	EM500R0131	Bearing Retainer Z axis (Bottom))	1	
26	S001050025	M5 x25 Cap Screws	5	
27	EM500R0022	Ballscrew R32x5B1xFDVx550x850x0.08	1	
28	S001060025	M6 x 25 Cap Screws	5	
29	R055RD1819	Coupling MTC 55-RD (18 x 19)	1	
30	QSY116JECO	Z axis Feed Motor QSY116J EcoDyn (Brake)	1	
31	S023000008	M8 Spring Washers	4	
32	S001080035	M8 x 35 Cap Screws	4	
33	EM500R0252	Spindle Clamp Casting FC 30	1	
34	S023000010	M10 Spring Washers	4	
35	S001100040	M10 x 40 Cap Screws	4	
36	S001080065	M8 x 65 Cap Screws	2	
37	S003100008	# 8 Taper Pin	4	
38	O0TC254707	Seal TC-35 x 47 x 7	2	
39	EM500R0331	Ballscrew Cover Retainer	2	
40	P004045050	40 x 450 x 50 Ballscrew Cover	2	
41	EM500R0332	Ballscrew Cover Pocket	2	
42	S001050015	Cap Screw M5 x 15	18	

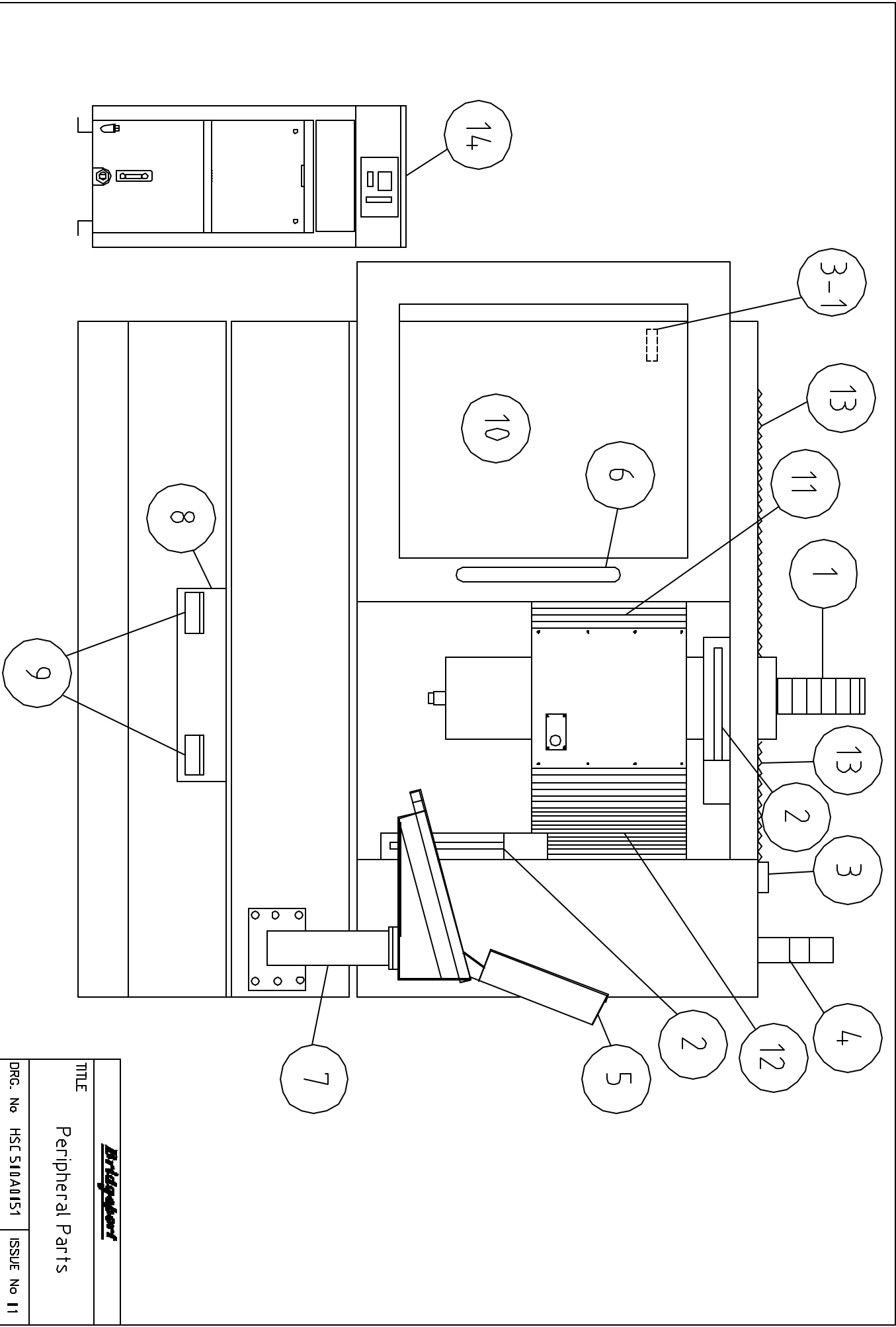


Bradyport

TITLE
Service Panel

DRG. No HSC 510A0141

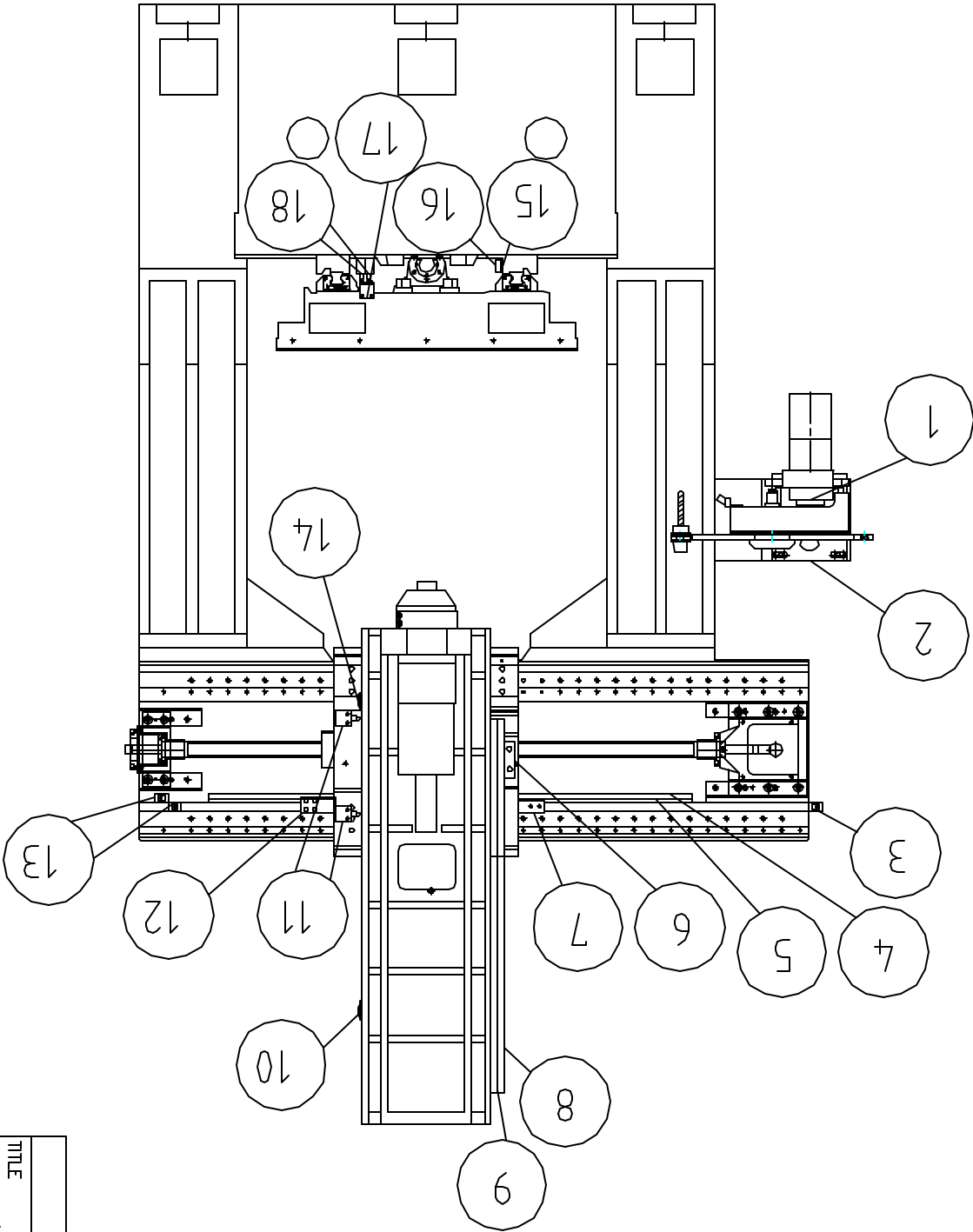
ISSUE No 11



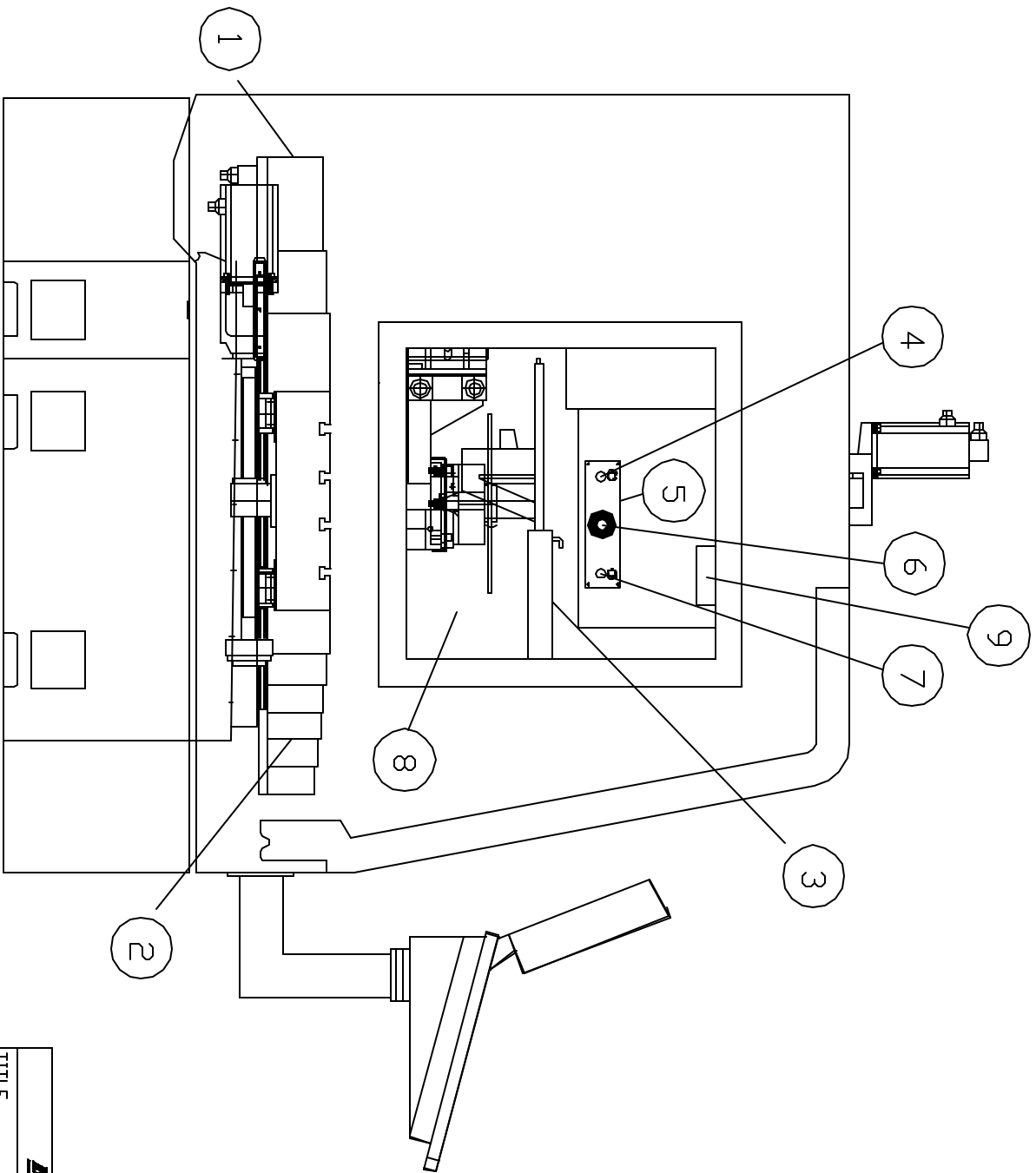
Bridgeport

TITLE
Peripheral Parts

DRG. No. HSC 510A0151 | ISSUE No. 11



Brüel & Kjær	
TITLE	
Internal Parts	
DRG. No HSC 510A0161	ISSUE No 11



Brilgator

TITLE
HSC 500 Components

DRG. No. HSC-500A0071 ISSUE No. 01

